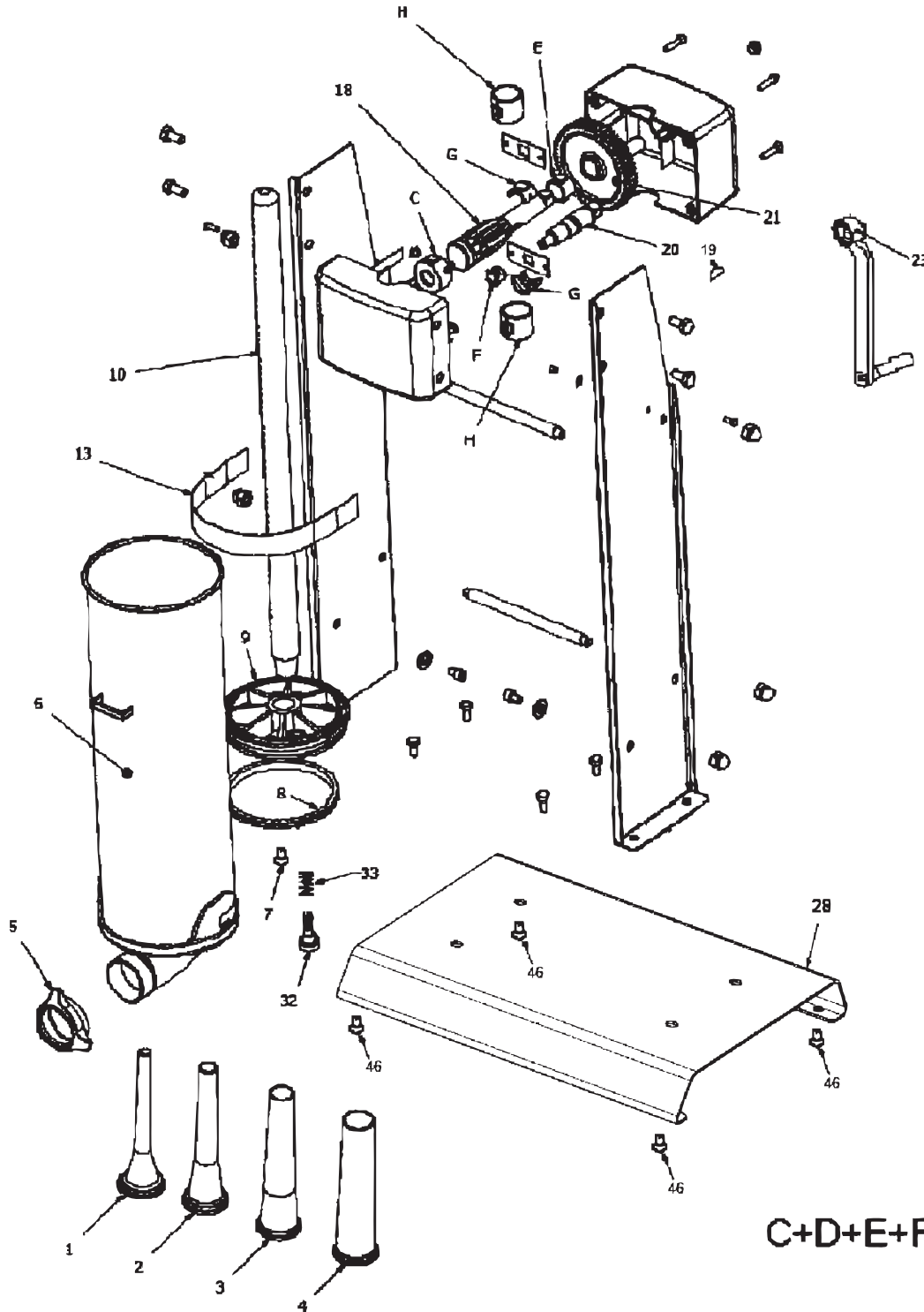


Parts Breakdown

Item 18207



$$8+9= 108$$

$$32+33= 132$$

$$(46 \times 4)= 146$$

$$C+D+E+F+G+H = 44$$

Parts Breakdown

Item 18207

Item No.	Description	Position	Item No.	Description	Position	Item No.	Description	Position
10124	Plastic S. Spout 10mm for 18207	1	15286	Gasket Silicone for 18207	8	15283	Handle for 18207	23
10125	Plastic S. Spout 20mm for 18207	2	67001	Stainless Steel Rack for 18207	10	78695	Metal Base for 18207	28
10126	Plastic S. Spout 30mm for 18207	3	66999	Cylinder Holder for 18207	13	24837	Plastic Bushing Kit for 18207	44
10127	Plastic S. Spout 40mm for 18207	4	15289	Rack Controlling Shaft for 18207	18	15284	Piston and Gasket for 18207	108
15279	Screw Ring for 18207	5	20037	Key for 18207	19	15313	Air Valve and Spring for 18207	132
27622	Complete Cylinder for 18207	6	15288	Pinion for 18207	20	69321	Set of 4 Feet for 18207	146
15285	Piston Screw for 18207	7	18655	Reducer Wheel for 18207	21	61887	Complete Gear Block for 18207	